



ASSEMBLY INSTRUCTIONS

Save these instructions for future use.
This item is a toy for dolls only.
For children ages three (3) years and older.

MODEL #: 06015

NAME: Folding Doll Umbrella Stroller

CARE INSTRUCTIONS:

Wipe clean with a damp cloth and mild soap as needed. Fabric parts are poly/cotton and can be spot cleaned.

PARTS LIST :



Stroller Body x1



Wheels x4



Spacer x2



Retainer x4+1



Caps x4+1



Rear Axle (Long) x1



Front Axle (Short) x1



BEFORE YOU BEGIN ASSEMBLY:

Ensure that all the parts and hardware listed above are included.
If anything is missing, please do not return the product to the store.
E-mail parts@badgerbasket.com for assistance.



WARNING !! ATTENTION !!



- ◆ Choking Hazard! Small Parts!
- ◆ Not for children under three (3) years of age. Adult assembly required.
- ◆ Do not use this product until and unless you have reviewed these assembly/safety instructions and ensure they can be strictly adhered to.
- ◆ Do not leave any part unassembled or unattended during assembly due to potential hazards.
- ◆ Always supervise your children while they are playing.
- ◆ Ensure the stroller frame is locked in place during use.
- ◆ Please make sure children know that this furniture is for dolls and stuffed animals only.
- ◆ **Stroller is not to be used with real infants or with pets.**
- ◆ **Children should NEVER sit in or stand on the stroller.**

Visit us online at www.badgerbasket.com

Toll-Free Customer Service: 1-800-236-1310 (Monday through Thursday 7:30 AM to 4:30 PM CST)
cs@badgerbasket.com

PLANT AND GENERAL OFFICE: PO Box 227, Edgar, WI 54426-0227 715-352-2311 Fax: 715-352-3163

CORPORATE OFFICE: 111 Lions Dr., Suite 220, Barrington, IL 60010

1. TO UNFOLD

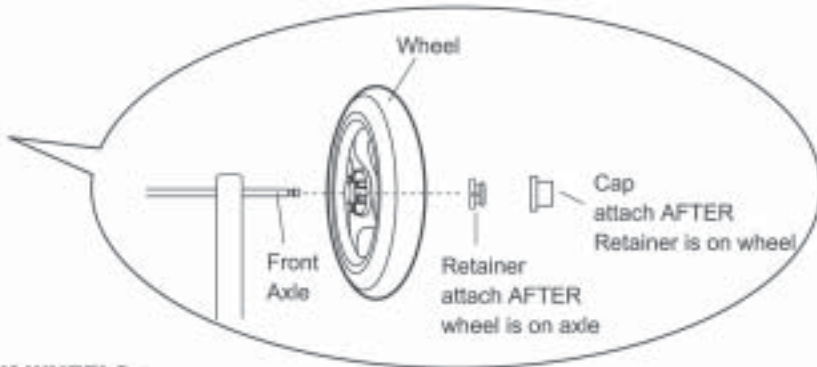
UNFOLD UNTIL THE SIDE LATCHES FULLY ENGAGE



ENSURE THAT DOLL STROLLER IS SECURELY LOCKED IN PLACE BEFORE USE.

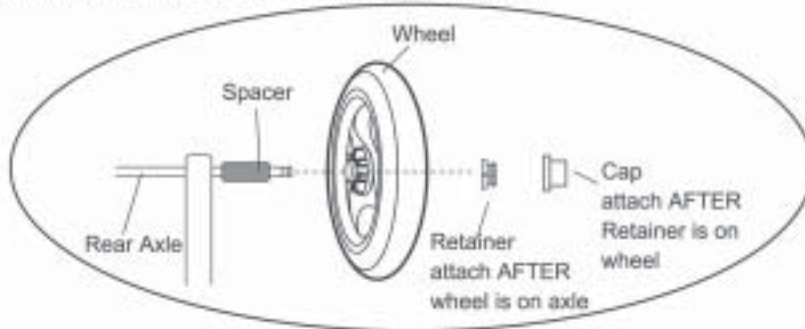
2. TO ATTACH THE FRONT WHEELS

SLIDE THE SHORTER AXLE THROUGH THE HOLES OF THE FRONT LEGS, SLIDE A WHEEL ONTO EACH END OF THE AXLE AND SNAP ON RETAINERS TO HOLD THE WHEELS IN PLACE. SNAP A CAP OVER EACH RETAINER.



3. TO ATTACH THE BACK WHEELS

SLIDE THE LONGER AXLE THROUGH THE HOLES IN THE TWO REAR LEGS. SLIDE 2 SPACERS ONTO EACH END OF THE REAR AXLE AND THEN SLIDE ONE WHEEL ONTO EACH END OF AXLE AND SNAP ON RETAINERS TO HOLD THE WHEELS IN PLACE. SNAP A CAP OVER EACH RETAINER.



Your Doll Stroller is now ready to enjoy! Be sure you have reviewed the safety instructions on Page 1.

4. TO FOLD

- 1. TO FOLD STROLLER LIFT UP ON BOTH LATCHES AT THE SAME TIME AND PRESS DOWN ON THE HANDLE AND THE STROLLER WILL FOLD EASILY
- 2. STORE FOLDED STROLLER OUT OF REACH OF CHILD!

