



# DOLL ARMOIRE WITH THREE HANGERS

**Assembly and Use Instructions. Adult Assembly  
Required. Read all instructions before use.**

**This manual is part of the product and  
must be saved for future reference.**



**MODEL NUMBER\*:**

**01201**

**VERSION CODE\*:**

**5.0/0621/TG**

*\* These numbers are needed if  
replacement parts are requested*

Find us on  •  YouTube • 

*Assembly Videos available on YouTube*

**FOR REPLACEMENT PARTS:**  
**<http://www.badgerbasket.com/parts>**

Badger Basket®, PO Box 227, Edgar, WI 54426-0227 USA • **Web:** [www.badgerbasket.com](http://www.badgerbasket.com)  
**U.S. Based Customer Service Toll-Free** (Mon-Thurs 7:00 AM-4:00 PM CST): 1-800-236-1310  
**Phone:** 715-352-2311 • **Fax:** 715-352-3163



## BEFORE YOU BEGIN ASSEMBLY:

Check all parts. If anything is missing or not satisfactory, please DO NOT call the store or return the product to them. Please go online to:

<http://www.badgerbasket.com/parts>

Most problems are resolved without you needing to leave home.

When emailing or calling us, please have this instruction manual, your product model number, and your Version Code ready.

**Your Model Number is: SEE COVER PAGE**

**Your Version Code is: 5.0/0621/TG**

### CARE INSTRUCTIONS:

Frame and hangers can be wiped clean with a damp cloth and mild soap and dry thoroughly. Spot clean fabric as needed with cold water and mild detergent and allow to air dry.



## WARNING

ADULT ASSEMBLY REQUIRED  
DUE TO THE PRESENCE OF SMALL PARTS AND SHARP POINTS DURING ASSEMBLY, KEEP OUT OF REACH OF CHILDREN UNTIL ASSEMBLY IS COMPLETE.

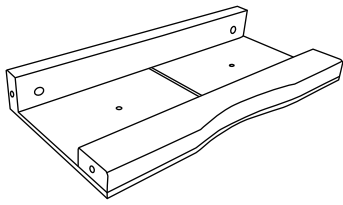


## WARNING - FAILURE TO FOLLOW THESE WARNINGS AND THE INSTRUCTIONS COULD RESULT IN SERIOUS INJURY OR DEATH

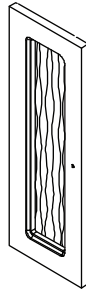
**READ ALL INSTRUCTIONS** before use of this product. Keep instructions for future use. Use only the parts and hardware provided by Badger Basket®. Do not use the product if it is damaged, broken, or missing parts. **DO NOT** allow anyone to climb, sit on, stand on, or play on or inside of this product. It is not a seat, step stool, or ladder. **Periodically check** to make sure all the hardware remains tight. No product is a replacement for adult supervision.



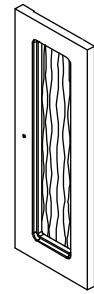
**ASSEMBLY TIPS!** Review the entire manual before beginning. Leave hardware slightly loose during assembly and then go back and tighten fully at the end. If using a power screwdriver, keep torque setting low and go slow to prevent damage to the product.



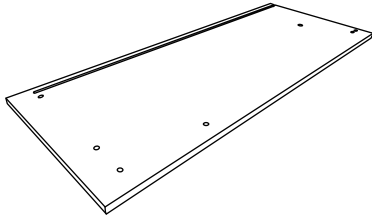
FAUX DRAWER  
A



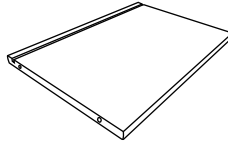
LEFT DOOR  
B



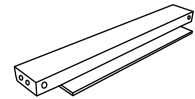
RIGHT DOOR  
C



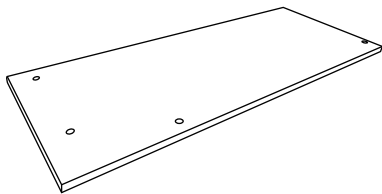
LEFT SIDE  
D



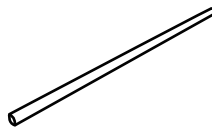
BOTTOM  
E



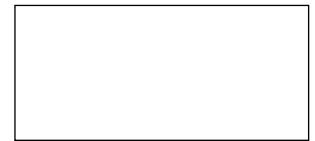
TOP RAIL  
F



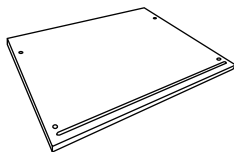
RIGHT SIDE  
G



DOWEL  
H



BACK  
I



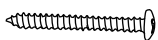
TOP  
J



HANGERS  
K×3



KNOBS  
L×4



M×12



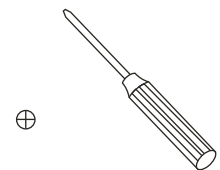
N×4



O×4

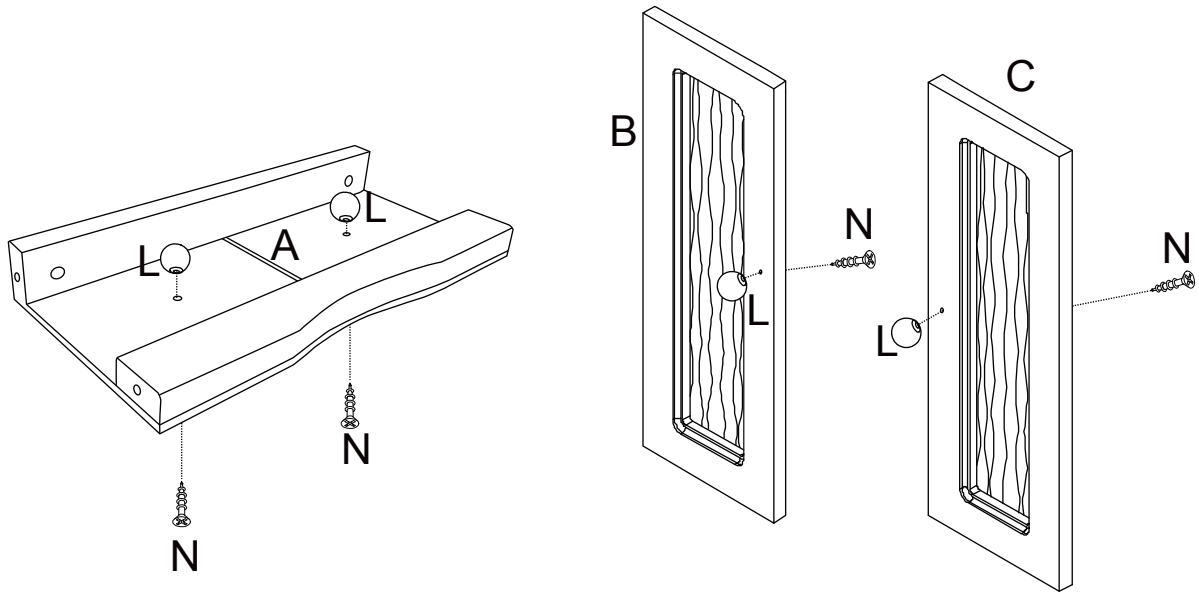


P×4



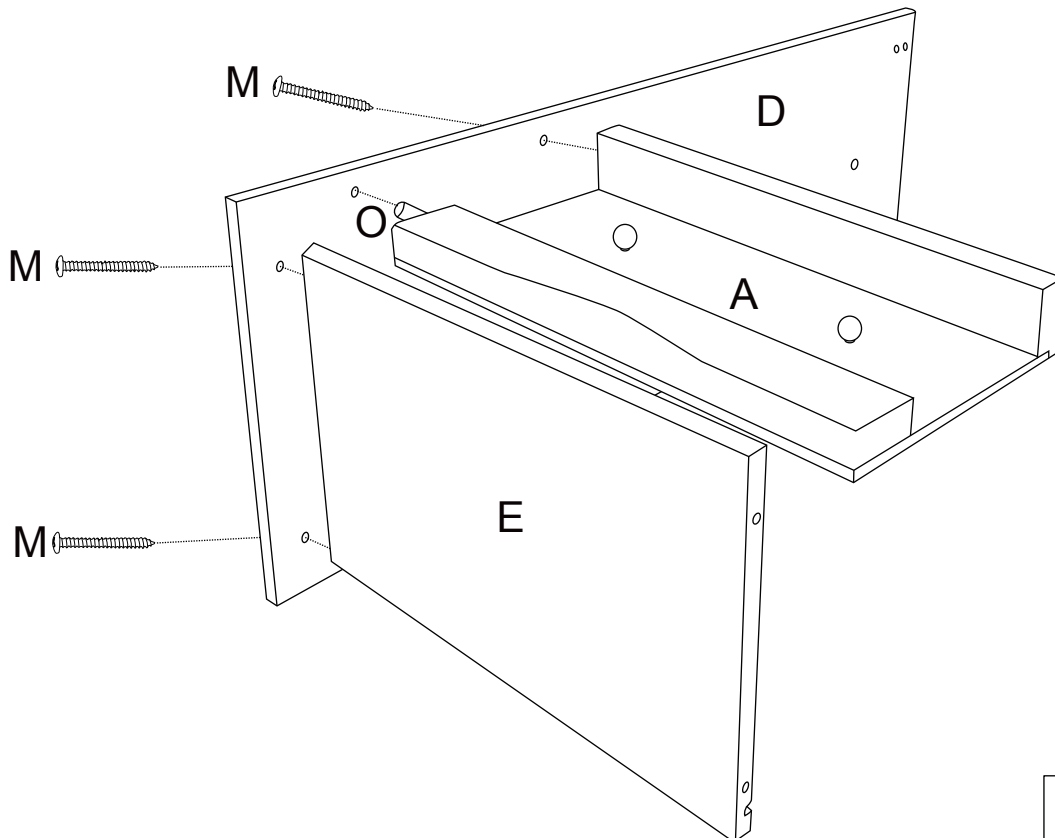
TOOL REQUIRED  
(NOT INCLUDED)

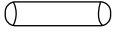
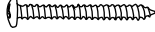
1



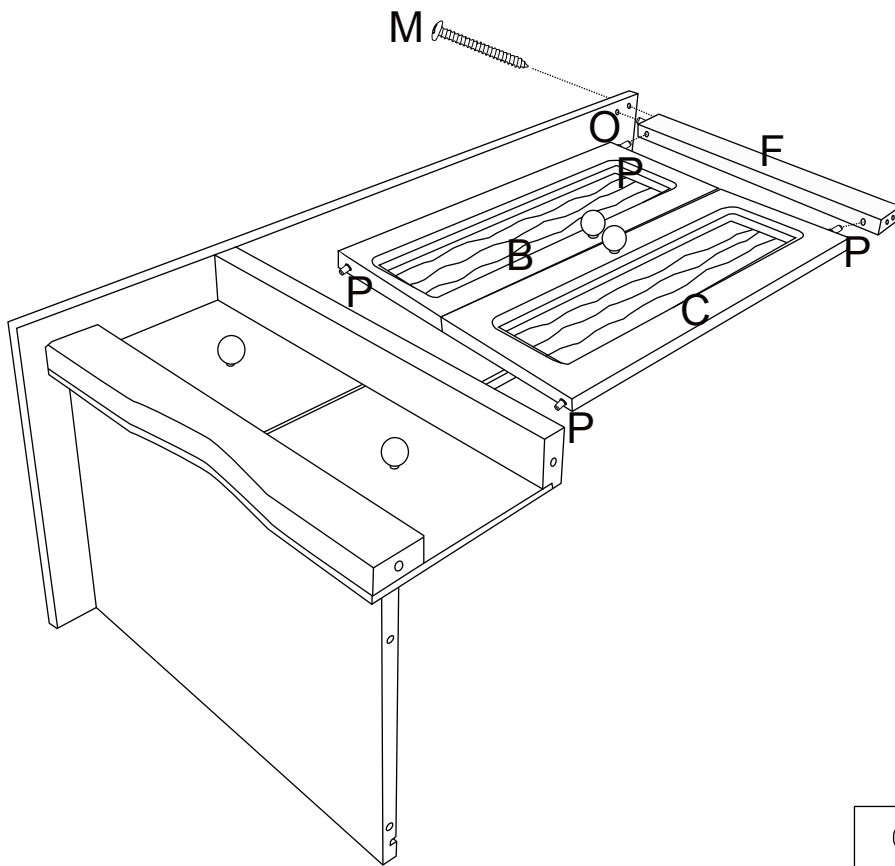
  
N×4

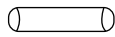

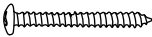
2



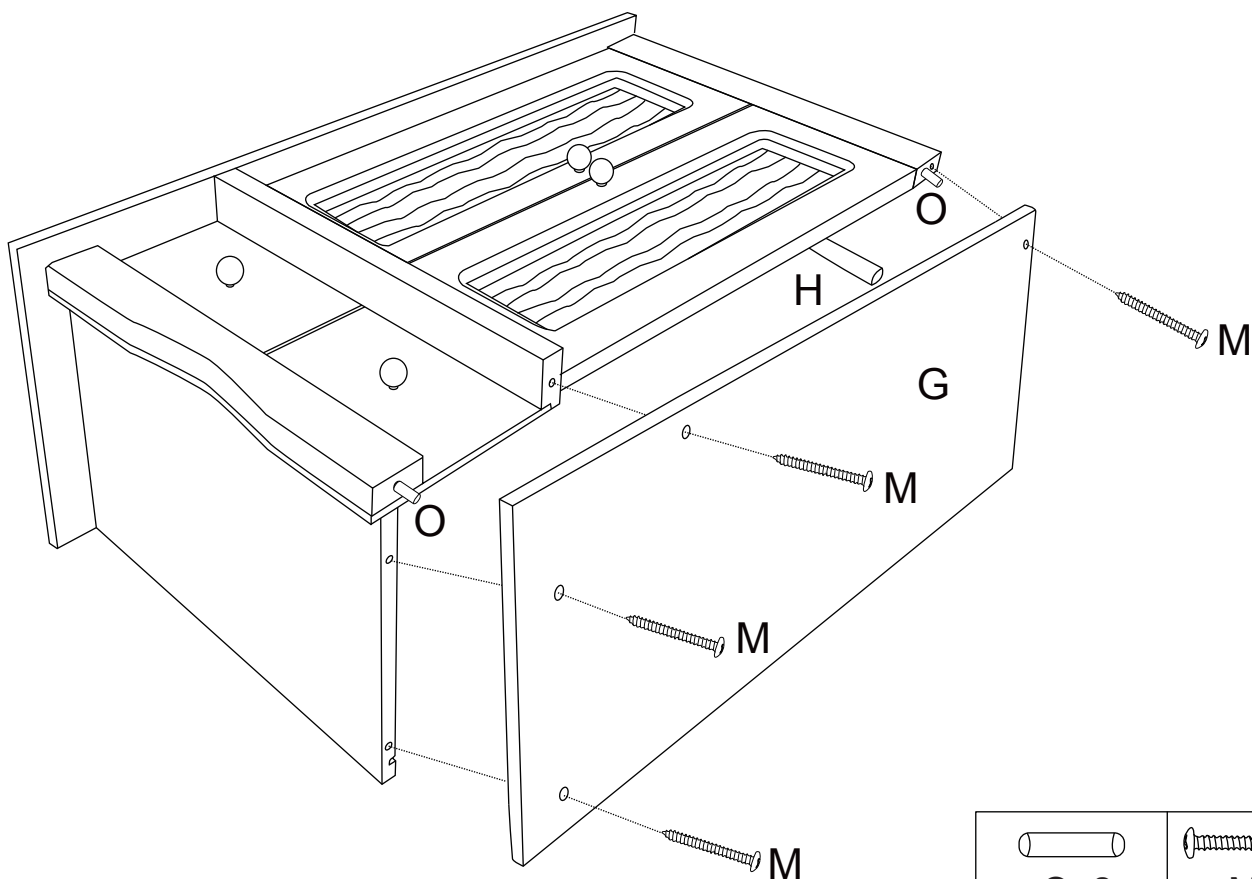
 O×1       M×3

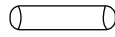
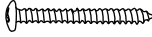
3



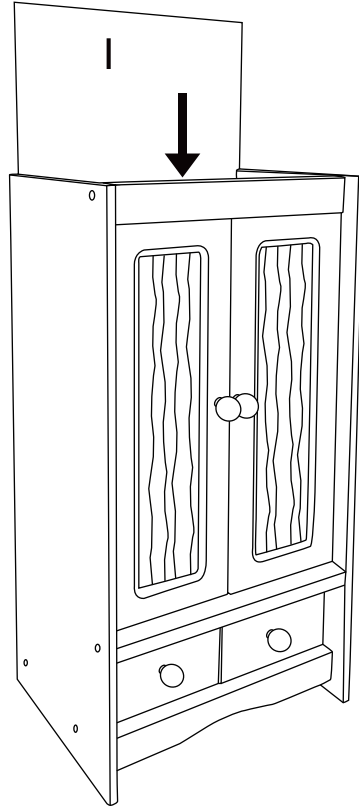
	
O×1	P×4
	
	M×1

4



	
O×2	M×4

5



6

