



LARGE FOLDING STORAGE BOX

Assembly Instructions. Adult Assembly Required.
Read all instructions before use.

This manual is part of the product. Keep for future reference.



MODEL NUMBERS:
30011 - Pink/White
30012 - Red/Blue

Package includes one of the model numbers listed above. Assembly steps are identical for all models.



VERSION CODE*:
1.0/1213/TG

** This number is needed if replacement parts are requested.
Go to www.badgerbasket.com/parts*

PARTS INCLUDED:

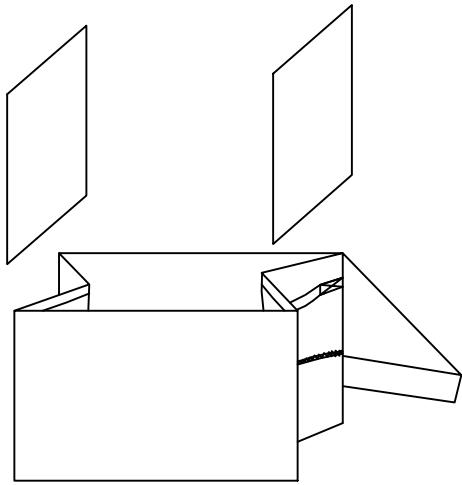
PART A x 1 - BOX BODY
PART B x 2 - SIDE PANEL
PART C x 1 - BOTTOM PANEL

Toys and accessories not included.

Badger Basket Company • PO Box 227 • Edgar, WI 54426-0227 USA
Toll-Free (Mon-Thurs 7:30 AM-3:30 PM CST): 1-800-236-1310
Web: www.badgerbasket.com • **Phone:** 715-352-2311 • **Fax:** 715-352-3163

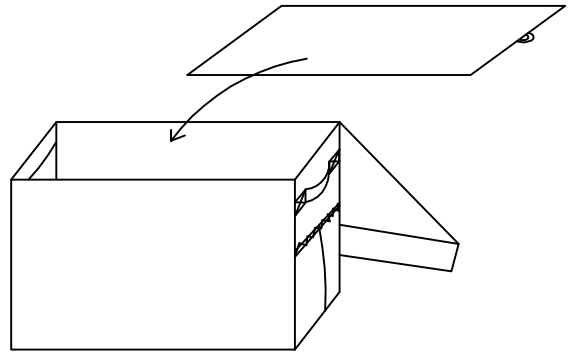
1.0/1213/TG

1



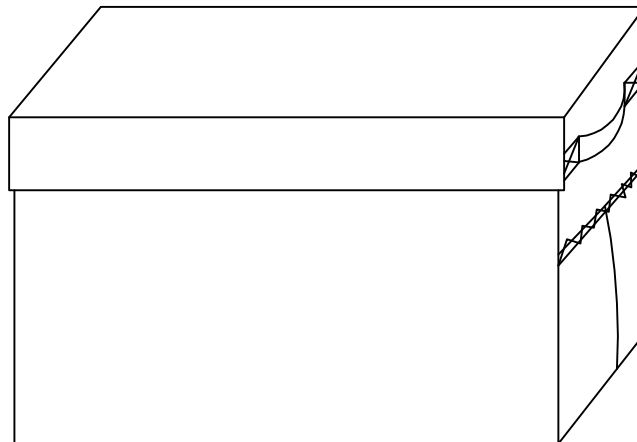
Unfold the Box Body (A) and insert the two Side Panels (B). Press the grip tape strips together to secure the Side Panels inside the walls.

2



Insert the Bottom Panel (C) into the Box Body (A).

3



CARE INSTRUCTIONS:

Spot clean as needed and air dry. Never immerse in water.
Internal support panels are removable (front, back, sides, top).
We recommend that you remove the support panels when
cleaning the fabric body to prevent water from damaging them.