



16 PIECE CASTLE ACCESSORY SET

(for Fantasy Play Castle Doll House, sold separately)

Product Manual

Read entire manual before use.
This manual is part of the product and
must be kept for future reference.

PRODUCT MODEL
NUMBER:

40201



VERSION CODE:
1.0/0712/WL



If you need product
parts, see Page 2!

FOR REPLACEMENT PARTS: <http://www.badgerbasket.com/parts> • **E-mail:** parts1@badgerbasket.com
Toll-Free: 1-800-236-1310 (Monday to Thursday 7:30 AM-3:30 PM CST)
Mail: PO Box 227, Edgar, WI 54426-0227 • **Phone:** 715-352-2311 • **Fax:** 715-352-3163
Visit us online at www.badgerbasket.com



BEFORE YOU BEGIN ASSEMBLY:

Check all parts. If anything is missing or not satisfactory, please DO NOT call the store or return the product to them. Please go online to:

<http://www.badgerbasket.com/parts>

Most problems are resolved without you needing to leave home.

When contacting us, please have this instruction manual, your product model number, and your Version Code ready.

Your Model Number is: 40201

Your Version Code is: 1.0/0712/WL

CARE INSTRUCTIONS:

Wipe clean with a very lightly dampened cloth as needed.

DRY THOROUGHLY.

Do not allow water to sit on the surface of the product.

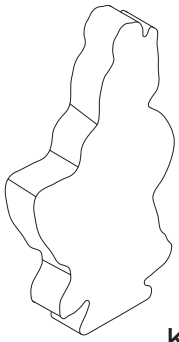


WARNING - CAUTION

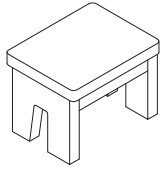
READ ALL INSTRUCTIONS before use of this product. Keep instructions for future use. Do not use the product if it is damaged or broken. **This item is a toy only. For children ages three (3) years and older. Never attempt to sit or stand on the toy. No product is a substitute for adult supervision.**

Always supervise your child during play.

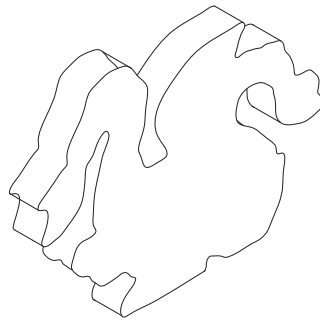
Ax1 - BED
Bx2 - CHAIR
Cx1 - NIGHTSTAND
Dx1 - SOFA
Ex1 - DINING TABLE
Fx1 - DRAGON
Gx1 - QUEEN
Hx1 - KING
Ix1 - PRINCESS
Jx1 - PRINCE
Kx1 - GUARD
Lx1 - STANDING KNIGHT
Mx1 - MOUNTED ARCHER
Nx1 - MOUNTED KNIGHT
Ox1 - CANNON



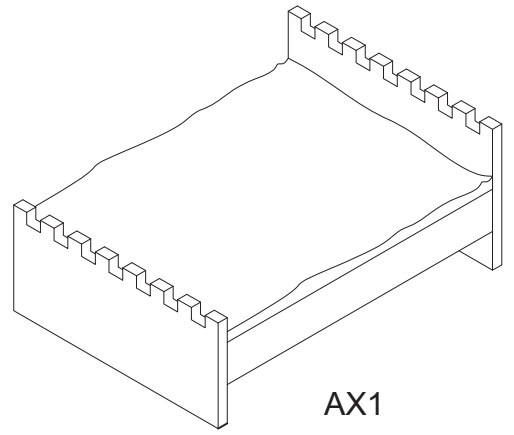
KX1



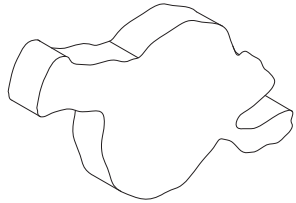
CX1



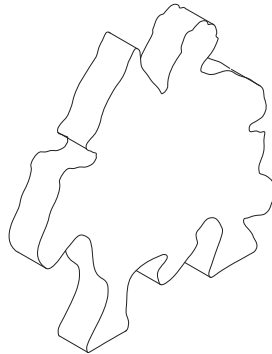
FX1



AX1



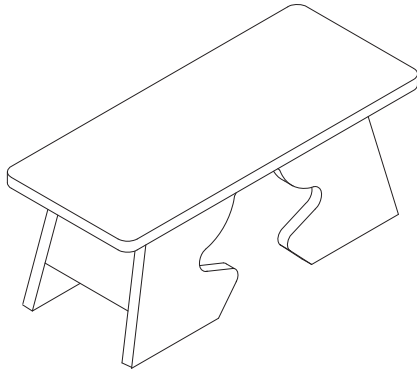
OX1



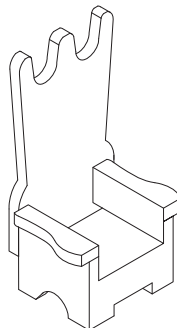
MX1



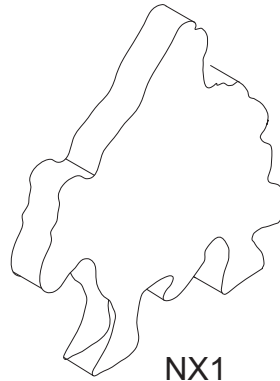
LX1



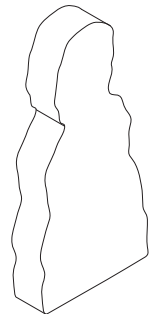
EX1



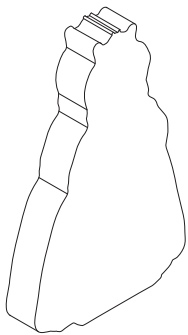
BX2



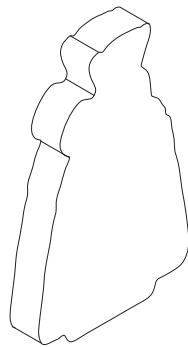
NX1



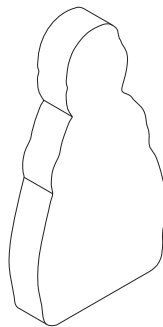
IX1



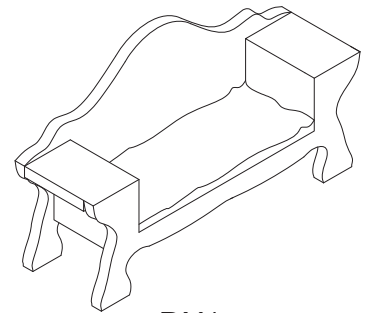
JX1



HX1



GX1



DX1