



COVERED CONVERTIBLE CEDAR SANDBOX WITH CANOPY TOP & TWO BENCH SEATS

Assembly Instructions. Adult Assembly Required. Read all instructions before use. This manual is part of the product and must be kept for future reference.



MODEL NUMBER*:
99895

VERSION CODE*:
3.0/0124/TG

** Model and Version numbers are needed if replacement parts are requested*

Find us on



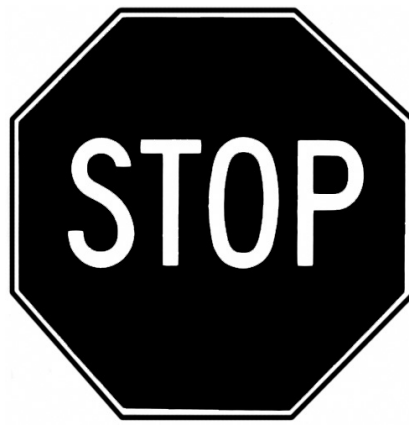
YouTube



Assembly Videos available on YouTube

FOR REPLACEMENT PARTS:
<http://www.badgerbasket.com/parts>

Badger Basket®, PO Box 227, Edgar, WI 54426-0227 USA • **Web:** www.badgerbasket.com
U.S. Based Customer Service Toll-Free (Mon-Thurs 7:00 AM-4:00 PM CST): 1-800-236-1310
Phone: 715-352-2311 • Fax: 715-352-3163



BEFORE YOU BEGIN ASSEMBLY:

Check all parts and hardware. If anything is missing or not satisfactory, please DO NOT call the store or return the product to them. Please go online to <http://www.badgerbasket.com/parts> for assistance. Most problems are resolved without you needing to leave home.

When contacting us, please have this instruction manual, your product model number, and your product version code ready.

Your Product Model Number is: 99895

Your Product Version Code is: 3.0/0124/TG

> Read all instructions before beginning! <

NOTE:

Sand is not included. You can purchase it separately from most home improvement and hardware stores, or have it delivered from many local garden centers/landscape supply companies.

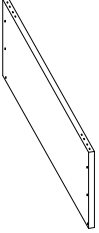
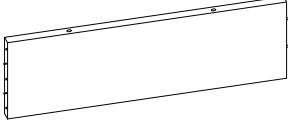
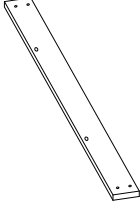
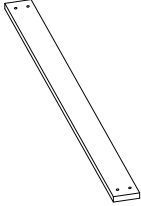
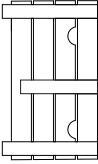
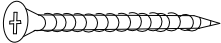
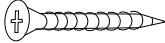
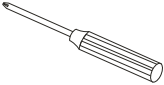
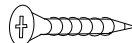



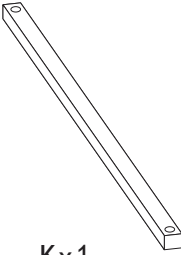
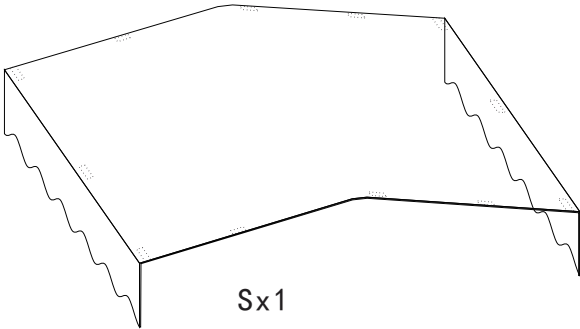
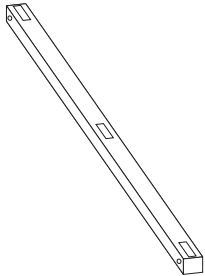


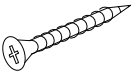
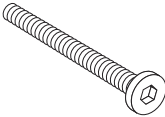
You will need approximately 750 pounds of sand to fill the sandbox 6 inches deep. If you want the sandbox to be deeper, assemble the sandbox and then mark the ground following the INTERIOR edges of the box. Move the sandbox aside and excavate within the marked area to the depth that you desire. Place the sandbox frame around the excavated area, and fill with the amount of sand desired.

It's helpful to use landscape fabric beneath the sand/sandbox (also found at hardware and home improvement stores), particularly if you excavate a hole to make the sandbox deeper.



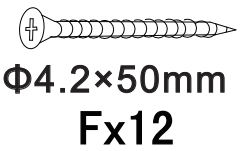
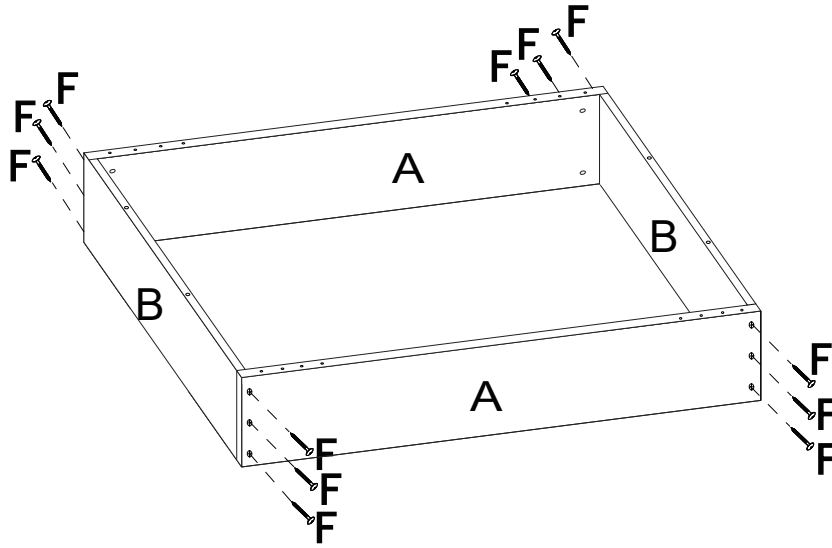
WARNING! FAILURE TO FOLLOW THESE WARNINGS AND THE INSTRUCTIONS MAY RESULT IN SERIOUS INJURY OR DEATH. NEVER LEAVE CHILD UNATTENDED.

- **READ ALL INSTRUCTIONS** before use of this product.
- Keep instructions for future use.
- Use only the parts and hardware provided by Badger Basket.
- Do not use the product if it is damaged, broken, cracked, or missing parts.
- Hardware may include small parts. **Choking Hazard!** Keep unassembled parts out of the reach of small children.
- No product is a replacement for adult supervision.
- **ALWAYS** keep your child in view while in the sandbox.
- **Cover panels/benches should only be unfolded and folded by an adult.**
- Use caution when folding and unfolding. Be aware of children around the sandbox when the panels are in motion to prevent injuries.
- Never attempt to fold the benches and cover the sandbox if there are children or animals inside.
- Children should always wash their hands thoroughly with soap and water after playing in the sandbox, especially before handling food.
- The combined weight of all the people sitting on each bench should not exceed 200 pounds (91 kg) per bench.
- **DO NOT pull on, hang on, climb on, attach anything to or hang anything from the canopy or the canopy frame and posts.**
- This product is heat treated and stained and designed to be outdoors. No further treatment of the wood is required before use. Any additional surface treatment is optional. Consult with your local home improvement store if desired.
- Do not install the sandbox on top of bricks, pavers, or concrete because this can interfere with drainage and damage the product.

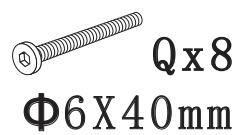
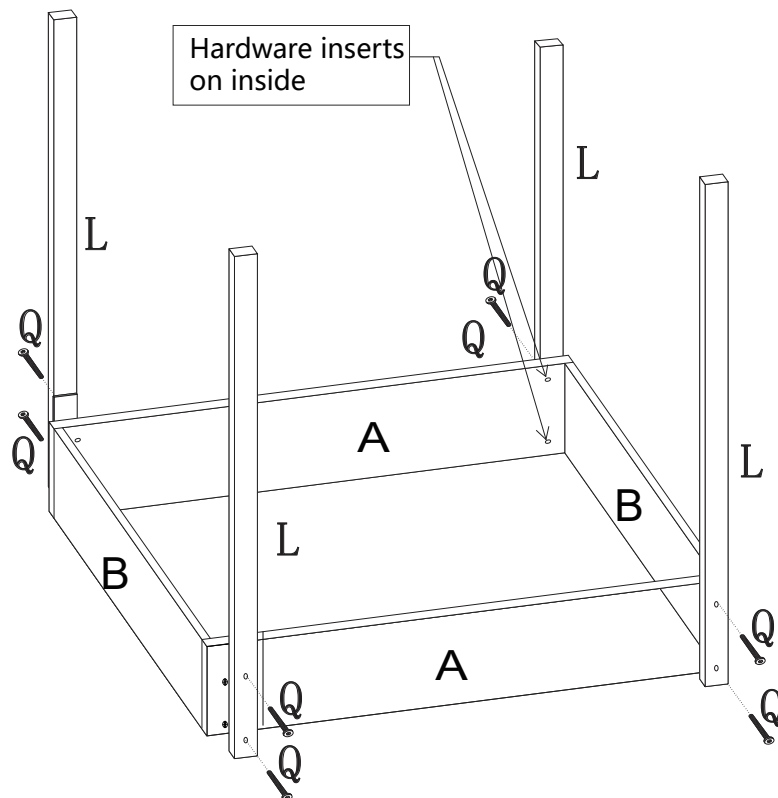
 <p>Ax2 END PANEL</p>	 <p>Bx2 SIDE PANEL</p>	 <p>Cx2 OUTER TOP BOARD</p>	 <p>Dx2 INNER TOP BOARD</p>
 <p>Ex2 BENCH PANEL</p>	 <p>Fx12 Φ 4. 2X50mm END PANEL SCREW</p>	 <p>Gx20 Φ 4. 2X40mm LONG SCREW</p>	 <p>PHILLIPS SCREWDRIVER (NOT INCLUDED)</p>
		 <p>Hx18 Φ 3X16mm SHORT SCREW</p>	 <p>ALLEN WRENCH (INCLUDED)</p>
 <p>Ix2 ANGLED CANOPY SUPPORT</p>		 <p>Lx4 POST</p>	 <p>Kx1 CANOPY CENTER RAIL</p>
 <p>Sx1 CANOPY</p>			 <p>Jx2 CANOPY SIDE RAIL</p>
 <p>Mx4 WASHER</p>	 <p>Ox4 Φ 6X25mm SHORT BOLT</p>	 <p>Px6 Φ 4. 2X35mm MEDIUM SCREW</p>	 <p>Qx8 Φ 6X40mm LONG BOLT</p>

1

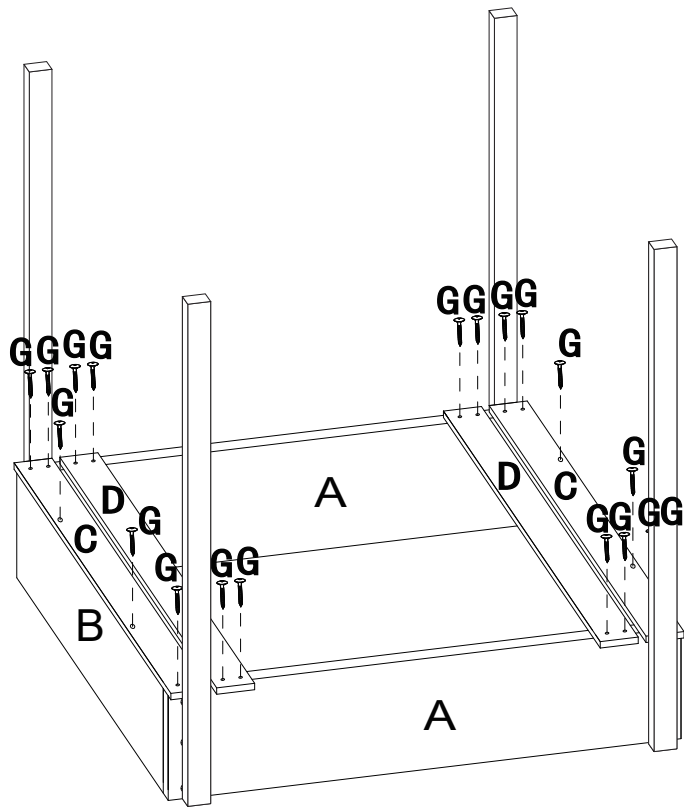
For the PART (A) End Panels, the sides with the hardware inserts must face in so that you can properly attach the PART (L) Posts in Step 2.

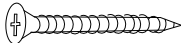


2

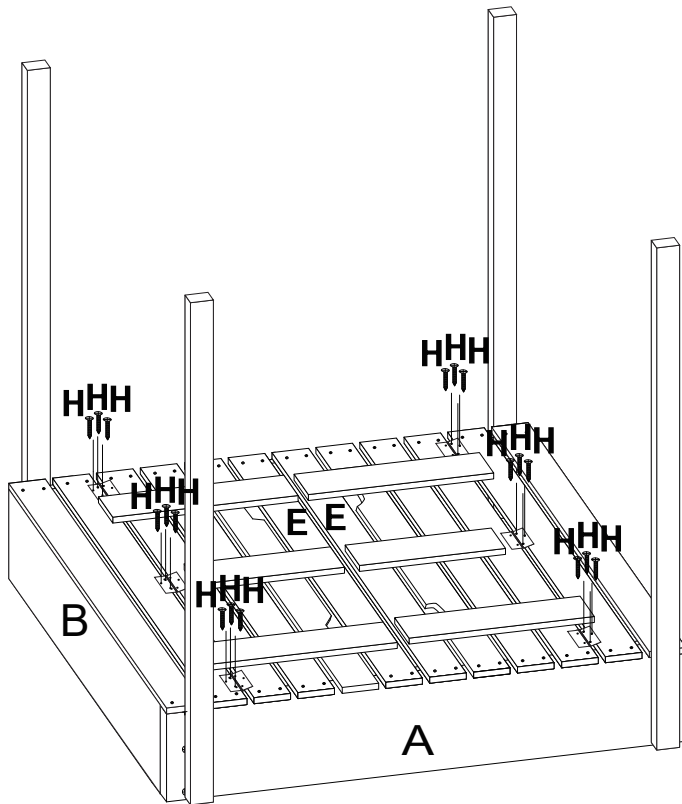


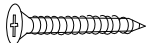
3



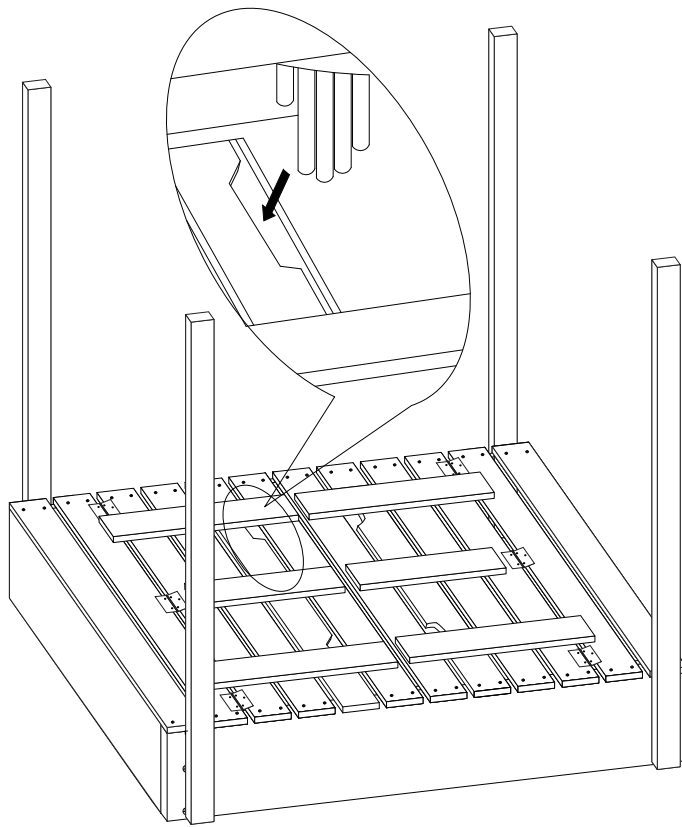

Φ4.2×40mm
Gx20

4

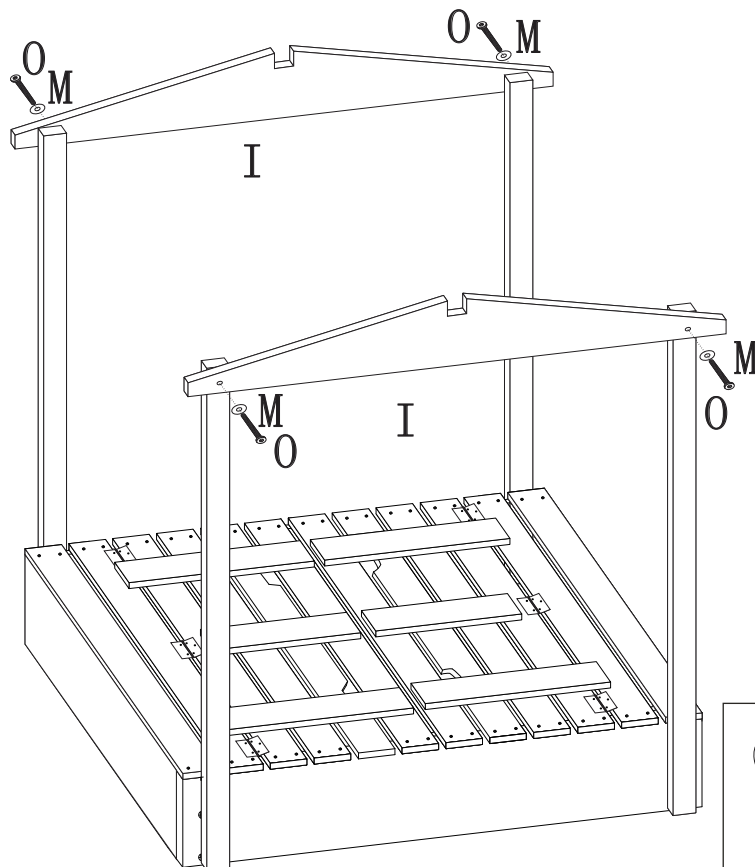




Φ3×16mm
Hx18

5



6




Ox4 Mx4
Φ6X25mm

